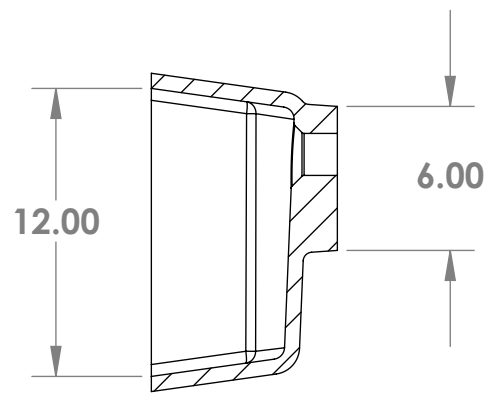
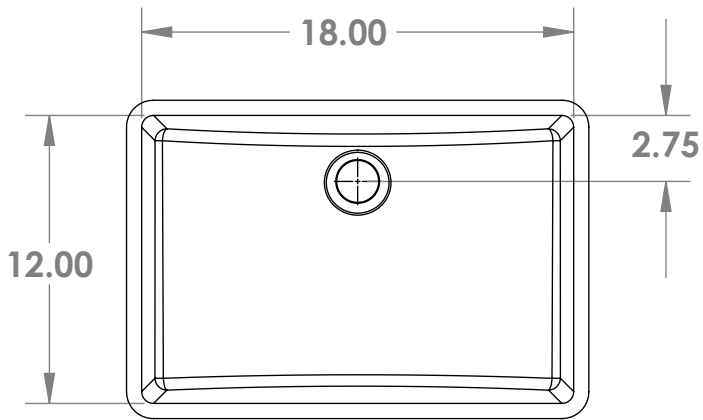
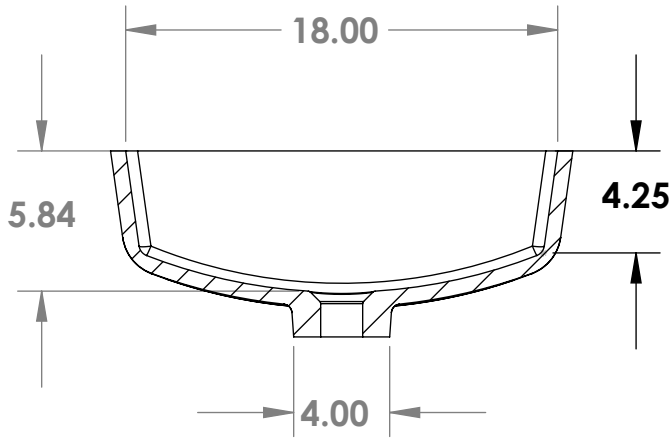


GRUBER SYSTEMS RESERVES THE RIGHT TO CHANGE THIS INFORMATION AT ANY TIME WITH OR WITHOUT PRIOR NOTICE. ISSUED BY GRUBER SYSTEMS INC., 29083 The Old Road, VALENCIA, CA 91355, USA. COPYRIGHT 2016



| MOLD PART     | CATALOG No.       | DESCRIPTION               |
|---------------|-------------------|---------------------------|
| MALE          | 20142             | 108 - 12 x 18 Drop Wave   |
| FEMALE        | 401427            | Fem - 12 x 18 Drop Wave   |
| PERMANENT HAT |                   |                           |
| REUSEABLE HAT | 015818            | RH Drop Wave, No Overflow |
| NAME          | 12 x 18 Drop Wave |                           |
| CAST WEIGHT   | Approx. 25 Lbs    | SCALE None                |
|               | DATE              | 04.12.16                  |
|               | PAGE No.          |                           |