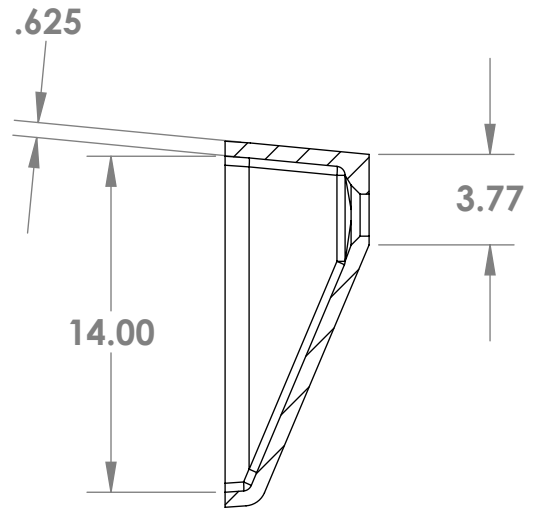
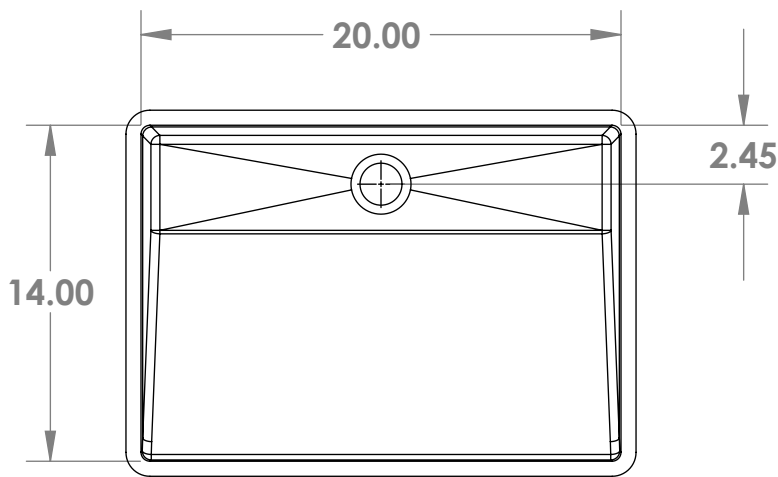
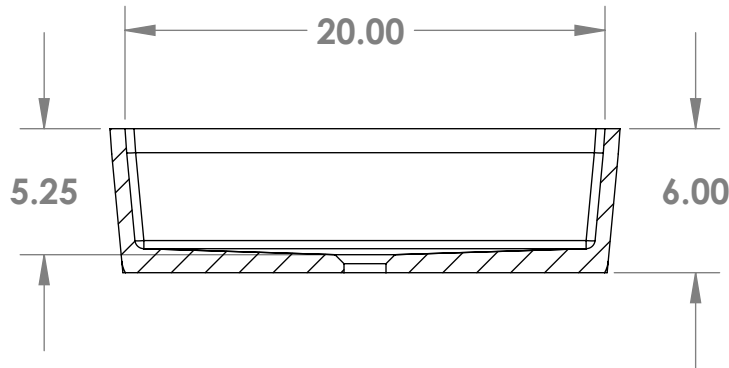


GRUBER SYSTEMS RESERVES THE RIGHT TO CHANGE THIS INFORMATION AT ANY TIME WITH OR WITHOUT PRIOR NOTICE. ISSUED BY GRUBER SYSTEMS INC., 29083 The Old Road, VALENCIA, CA 91355, USA. COPYRIGHT 2016



MOLD PART	CATALOG No.	DESCRIPTION
MALE	20143	108 - 14 x 20 Ramp Bowl
FEMALE	401437	Fem - 14 x 20 Ramp Bowl
PERMANENT HAT		
REUSEABLE HAT	015819	RH-Ramp, No Overflow
NAME	14 x 20 Ramp Bowl	
CAST WEIGHT	Approx. 28 Lbs	SCALE None
	DATE	04.12.16
	PAGE No.	