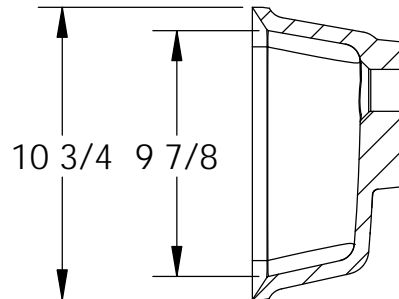
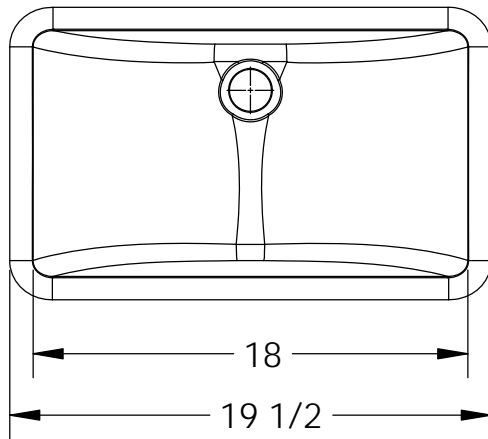
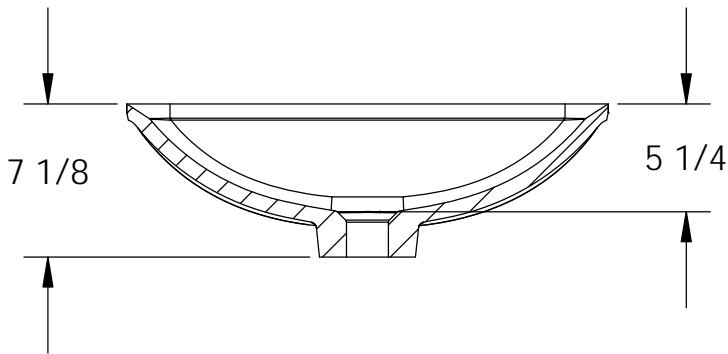
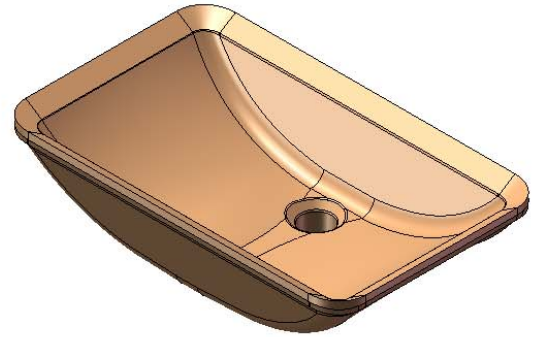


GRUBER SYSTEMS RESERVES THE RIGHT TO CHANGE THIS INFORMATION AT ANY TIME WITH OR WITHOUT PRIOR NOTICE. ISSUED BY GRUBER SYSTEMS INC., 29083 THE OLD ROAD, VALENCIA, CA 91355, USA. COPYRIGHT 2013



MOLD PART	CATALOG No.	DESCRIPTION
MALE	<b>26453</b>	<b>M-108 WAVE 19" BOWL W/CHAMFER</b>
FEMALE	<b>464538</b>	<b>M-F-108 WAVE 19" BOWL W/CHAMFER</b>
PERMANENT HAT		
REUSEABLE HAT		
NAME	<b>108 WAVE 19" BOWL W/CHAMFER</b>	
CAST WEIGHT	SCALE N/A	DATE <b>3-6-13</b> PAGE No.