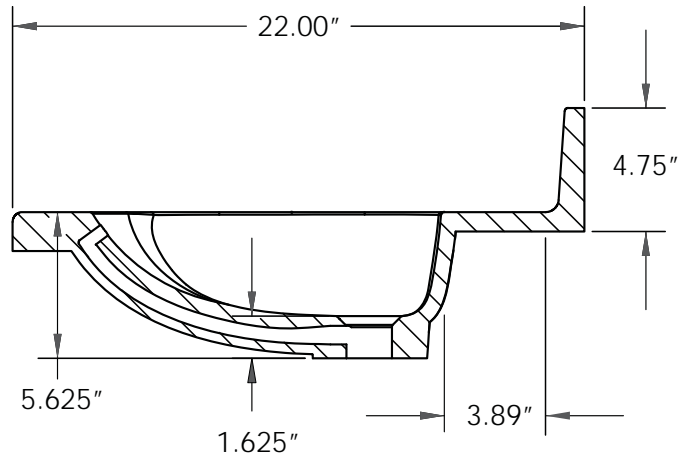
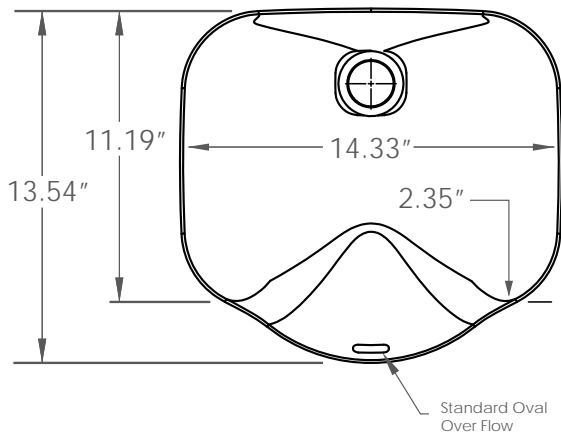




ADA Floating Bowl

MasterCast ADA Floating Bowl Mold

ADA-compliant bowl - designed for use by the physically impaired



Features and Benefits:

- Shallow bowl depth offers improved usability and convenience for disabled persons - especially with limited mobility.
- Shallow bowl allows improved wheelchair access (see diagram opposite side) to bowl.

Applications:

- Remodeling for the disabled and/or elderly or others with limited mobility
- Hospitals/ Managed Care/Convalescent Facilities
- Hospitality (Hotels/Motels, Inns)
- Publicly accessible bathrooms (Restaurants, Commercial, etc.)



MasterCast ADA bowl mounted as an undermount in a solid surface vanity deck. Optional Grab Bar Speedy Plugs are available to easily create handles on a vanity deck as shown above.



At left: Optional Grab Bar Speedy Plugs Easily cast built-in handles into your ADA or other vanity deck (as shown in the cast decks above). Two different sized Grab Bar speedy plugs are available as options, so you can cast in one or more handles into any vanity deck intended for ADA or other applications.

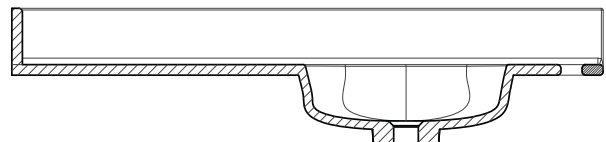
ORDER INFORMATION

MasterCast ADA Floating Bowl Mold
Male: PN 26454

Fiberglass Female Mold: PN 464548

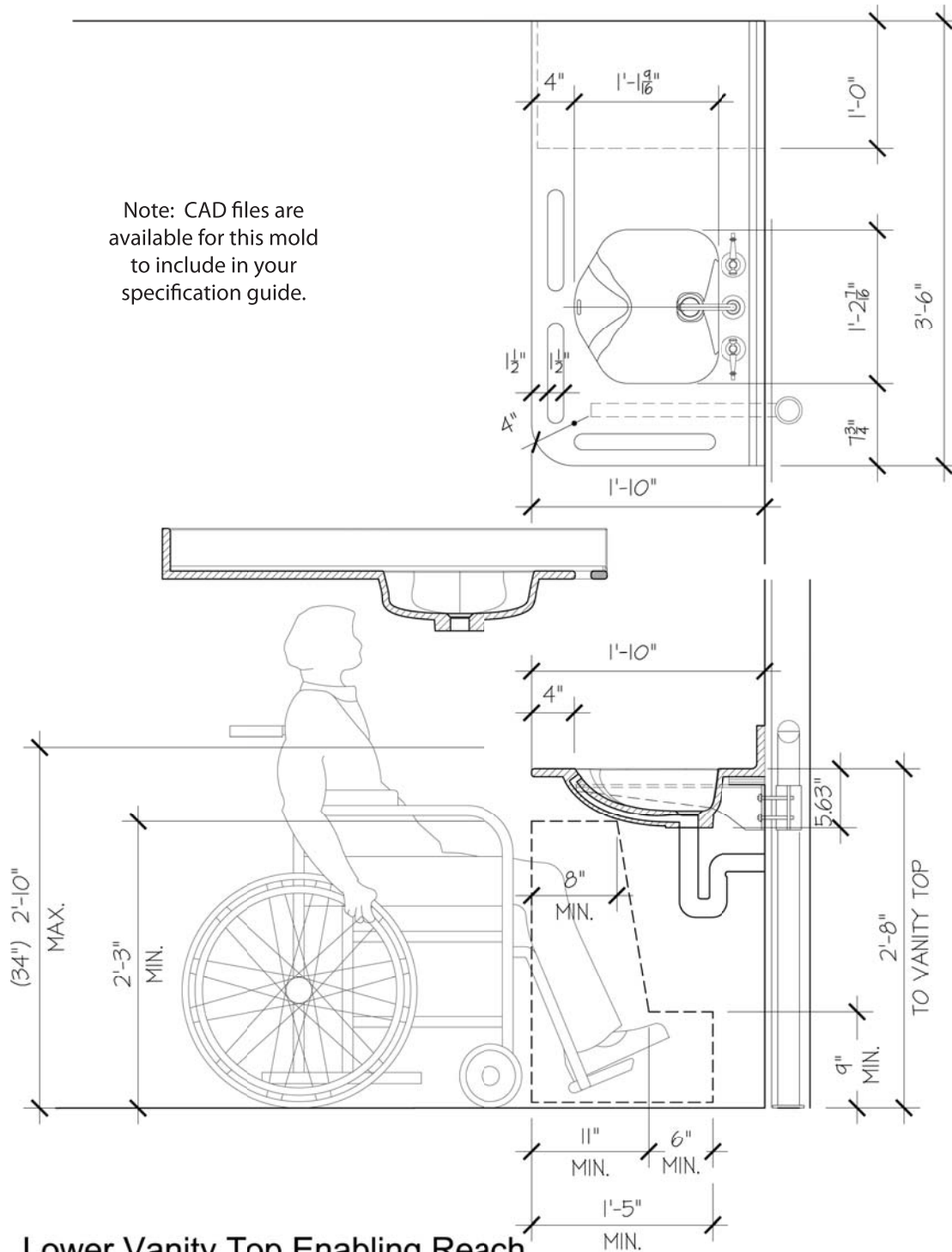
8" Grab Bar Speedy Plug - PN 01493
10" Grab Bar Speedy Plug - PN 01494

Note: These mold are available in either Metamold or Vinyl Ester finish. For Metamold, add an M to the end of the part number. For Vinyl Ester, add a V to the end of the part number.



Above: Front cross-section of showing the MasterCast ADA bowl mounted under a vanity deck.

MasterCast ADA Floating Bowl Mold (continued)



Lower Vanity Top Enabling Reach
1" = 1'-0"



Molds and Process Control Equipment for Composites Manufacturing

Gruber Systems, Inc.
29083 The Old Road
Valencia, CA 91355

Tel: +1 (661) 257-4060
Fax: +1 (661) 257-4791
Email: info@gruber-systems.com
Web: www.gruber-systems.com