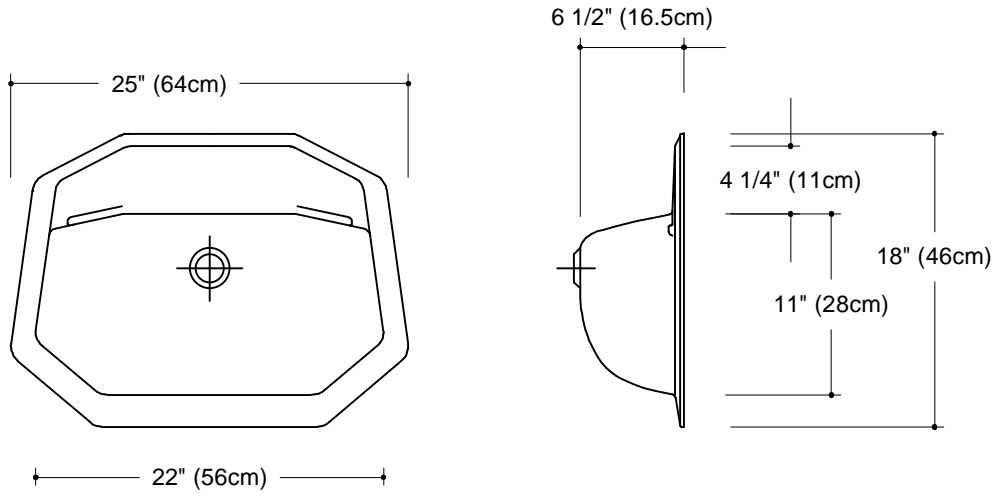


GRUBER SYSTEMS RESERVES THE RIGHT TO CHANGE THIS INFORMATION AT ANY TIME WITHOUT PRIOR NOTICE. ISSUED BY GRUBER SYSTEMS INC., 25636 AVENUE STANFORD, VALENCIA, CA 91355, USA. COPYRIGHT 2002



| MOLD PART      | CATALOG No.         | DESCRIPTION                         |
|----------------|---------------------|-------------------------------------|
| MALE           | <b>20001</b>        | <b>108 AA TOPAZ</b>                 |
|                | <b>20001MA</b>      | <b>ACCUCAST TEMPLATE TOPAZ</b>      |
| FEMALE         | <b>400017</b>       | <b>F-108 AA TOPAZ</b>               |
|                | <b>400015</b>       | <b>F-108 AA TOPAZ EXT. OVERFLOW</b> |
| PERMANENT HATS | <b>00200</b>        | <b>PH 108-AA</b>                    |
| REUSABLE HATS  | <b>01350</b>        | <b>RH 108-AA</b>                    |
| NAME           | <b>108 AA TOPAZ</b> |                                     |
| CAST WEIGHT    | SCALE 1" = 1" 0"    | DATE 8-30-02                        |
|                |                     | PAGE No. <b>BF-1</b>                |