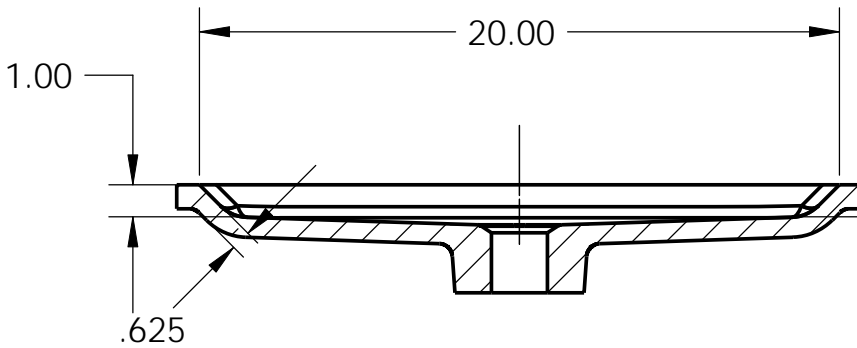
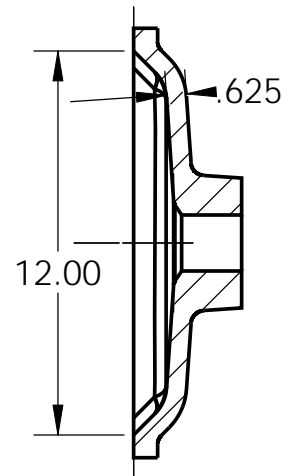
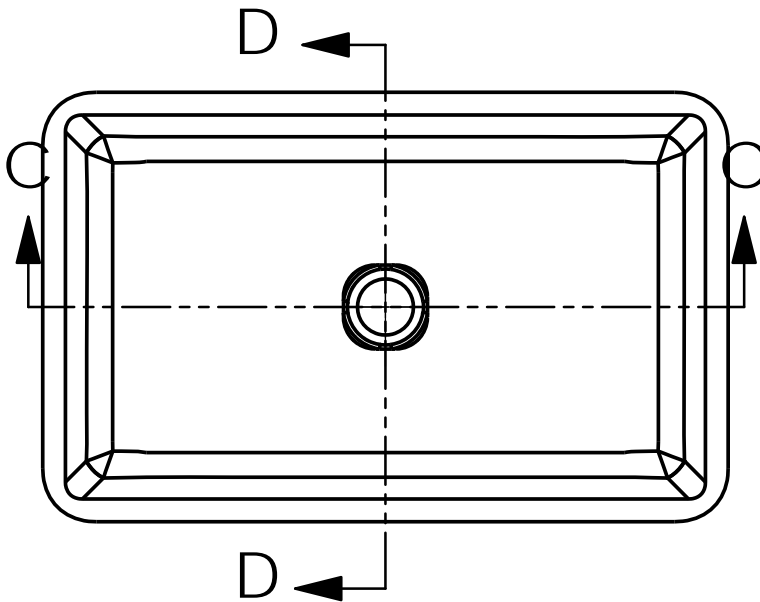




SECTION C-C
SCALE 1 : 6



SECTION D-D
SCALE 1 : 6



MOLD PART	CATALOG No.	DESCRIPTION
MALE	20141	12 x 20 WINSTON RECTANGULAR
FEMALE	401418	12 x 20 WINSTON RECTANGULAR
PERMANENT HAT		
REUSEABLE HAT		
NAME	WINSTON RECTANGULAR	
CAST WEIGHT APPROX 15 POUNDS	SCALE 1 : 6	DATE 4.8.09 PAGE No.