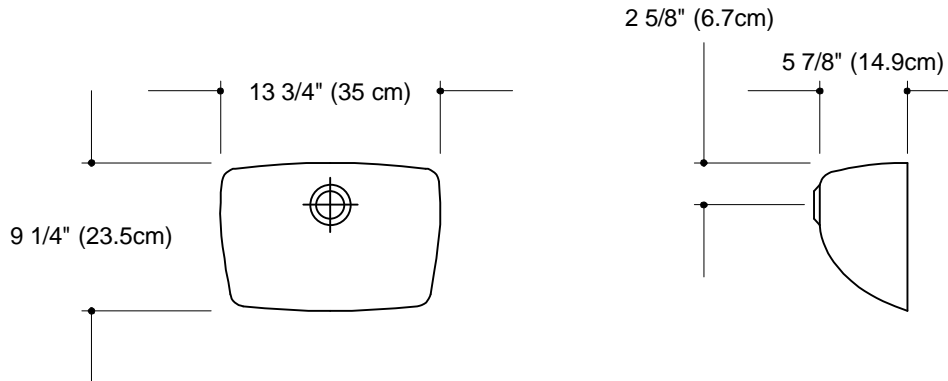


GRUBER SYSTEMS RESERVES THE RIGHT TO CHANGE THIS INFORMATION AT ANY TIME WITHOUT PRIOR NOTICE. ISSUED BY GRUBER SYSTEMS INC., 29803 THE OLD RD, VALENCIA, CA 91355 U.S.A. COPYRIGHT 2017



MOLD PART	CATALOG No.	DESCRIPTION
MALE	20022	108-MMR SUPER BOWL III
FEMALE	400227	F-108-MMR SUPER BOWL III
	400228	F-SUPER BOWL III NO OVERFLOW
PERMANENT HATS	00215	PH-MMR
	00215N	PH-MMR NO OVERFLOW
RE USABLE HATS	013624	RF-MMR
NAME	108 SUPER BOWL III	
CAST WEIGHT	SCALE 1" = 1' 0"	DATE 04-6-17 PAGE No. BF-9