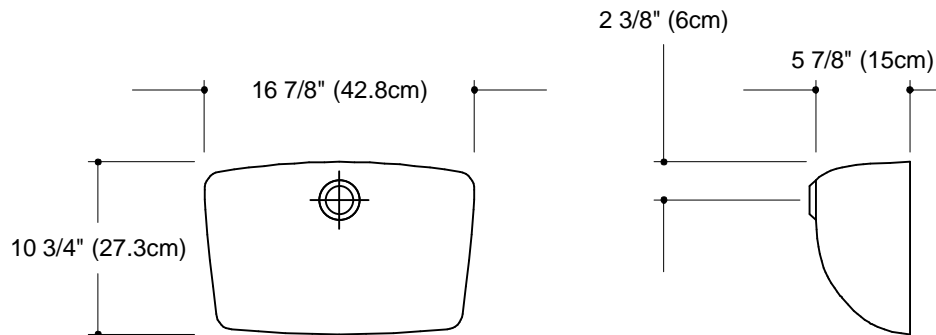


GRUBER SYSTEMS RESERVES THE RIGHT TO CHANGE THIS INFORMATION AT ANY TIME WITHOUT PRIOR NOTICE. ISSUED BY GRUBER SYSTEMS INC., 25636 AVENUE STANFORD, VALENCIA, CA 91355, USA. COPYRIGHT 2002



MOLD PART	CATALOG No.	DESCRIPTION
MALE	20021	108-MR SUPER BOWL I I
FEMALE	400217	F-108-MR SUPER BOWL I I
PERMANENT HATS	00214	PH-MR
	002140	PH-MR NO OVERFLOW
REUSABLE HATS	013623	RH-MR SQUARE
	013687	RH-MR NO OVERFLOW
	01384	RH-MR SQUARE NO OVERFLOW
	01484	RH-MR UNTRIMMED
NAME	108 SUPER BOWL I I	
CAST WEIGHT	SCALE 1" = 1' 0"	DATE 8-30-02
		PAGE No. BF-10