

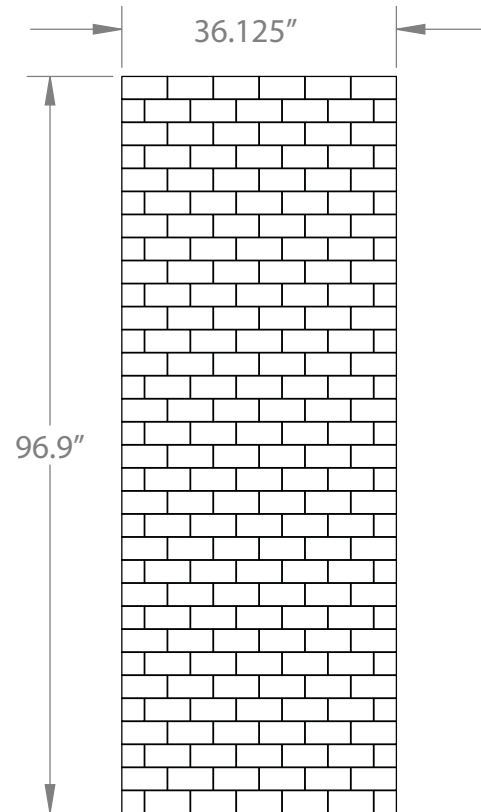
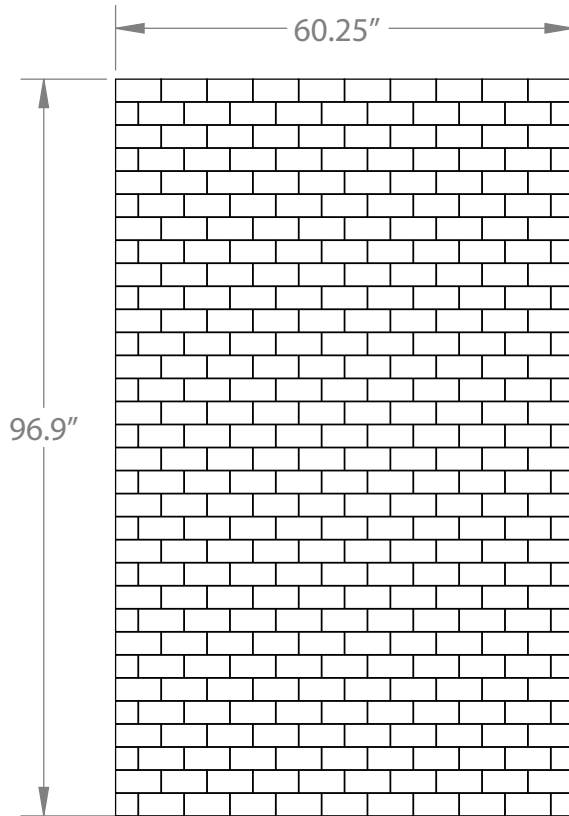


# 3" x 6" Subway Tile Wall Panel Molds

**ACCEPTING  
ORDERS NOW!**

Expected availability May/June 2016

Create custom wall panels that mimic the look and feel of a subway tile installation - but without the water leakage and grout issues sometimes associated with traditional tile and grout installations.



**These paired molds feature:**

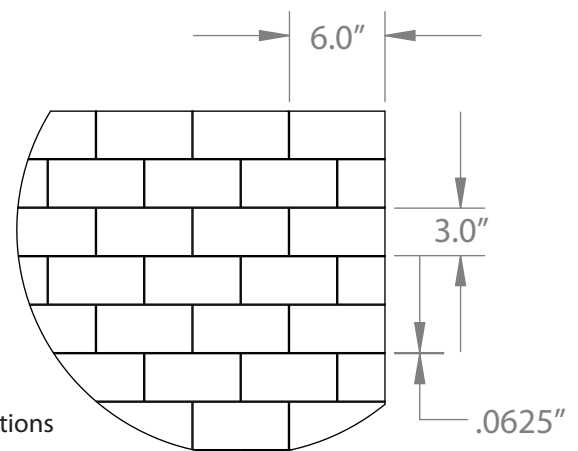
- 3" x 6" simulated smooth tiles with simulated natural grout
- Large 60" x 96" back panel and paired two-cavity 36" x 96" side panel mold
- Choice of Glossy or Matte finish

**Applications:**

- Master or secondary bath
- Kitchen/dining areas, wet rooms, entries, hallways
- Residential or commercial
- Perfect for both new home construction or remodels

**Benefits:**

- Tile look without the tile disadvantages
- Greatly reduces the chances of leakage often found in tile installations
- Extremely diverse range of materials, color, veined or textured treatment options



**Order Information:**

Back Panel - 3" x 6" Tile, 60" x 96" x 3/8" Overall - **Glossy** (#22296G); **Matte** (#22296M)

Side Panel - 3" x 6" Tile, 36" x 96" x 3/8" Overall, Two-Cavity - **Glossy** (#22297G); **Matte** (#22297M)



Molds and Process Control Equipment for Composites Manufacturing

**Gruber Systems, Inc.**  
29083 The Old Road  
Valencia, CA 91355

Tel: +1 (661) 257-4060  
Fax: +1 (661) 257-4791  
Email: info@gruber-systems.com  
Web: www.gruber-systems.com